

ENGLISH

MAG:CFX<sup>®</sup>

USER AND INSTALLATION MANUAL

# 5L Fluid Can Bracket



CE ACCESSORIES

PART02526  
rev 01-01

# DISCLAIMER

---

**⚠ WARNING**

Read this manual carefully before installing and/or using this product. Failure to read the manual and to follow the printed instructions may lead to personal injury and/or damage to the product.

---

© 2024 MAGICFX®

All rights reserved.

Nothing from this publication may be copied, reproduced and/or published by means of printing, photocopying or by any other means, without the prior written approval of MAGIC FX.

MAGIC FX reserves the right to modify specifications stated in this manual.

## TRADEMARKS

Any brand names mentioned in this manual are registered trademarks of their respective owners.

## LIABILITY

MAGIC FX accepts no liability for claims from third parties arising from unauthorised use, use other than that stated in this manual, and use other than in accordance with the General Conditions registered at the Chamber of Commerce.

We further refer to the General Conditions. These are available on request, free of charge.

Although considerable care has been taken to ensure a correct and comprehensive description of all relevant components, the manual may nonetheless contain errors and inaccuracies.

Should you detect any errors or inaccuracies in the manual, we would be grateful if you would inform us. This helps us to further improve our documentation.

# TABLE OF CONTENT





Introduction	4
Language	4
Abbreviations	4
Revision table	4
<b>1. Description</b>	<b>5</b>
1.1. Main parts	5
1.2. Technical data	6
1.3. Product identification	6
1.4. Compatible fluid cans	6
<b>2. Safety</b>	<b>7</b>
2.1. Indoor & outdoor use	7
2.2. General safety rules	7
2.3. Rigging	7
2.4. Safety symbols	8
2.5. Safety warnings	8
<b>3. Installation and use</b>	<b>9</b>
3.1. Mount on a stage	9
3.2. Mount on a truss	10
3.3. Insert the fluid can	13
<b>4. Troubleshooting</b>	<b>14</b>
<b>5. Maintenance</b>	<b>14</b>
<b>6. EC Declaration of Conformity</b>	<b>15</b>

# INTRODUCTION

Congratulations! You have bought a great new product from MAGIC FX.

This manual contains all information required for the intended use of the equipment. Deviation from the described intended use can result in a hazardous situation and/or property damage.

This manual includes notes and warnings on safe operation of the equipment. These notes and warnings are accompanied by the following icons. Read them attentively!

 <b>DANGER</b>	Indicates a hazardous situation that, if not avoided, will result in death or serious injury. This signal word is to be limited to the most extreme situations.
 <b>WARNING</b>	Indicates a hazardous situation that, if not avoided, could result in death or serious injury.
 <b>CAUTION</b>	Indicates a hazardous situation that, if not avoided, could result in minor or moderate injury.
 <b>NOTICE</b>	Indicates information considered important, but not hazard-related (e.g. messages relating to property damage).

## LANGUAGE

This document contains the original instructions in English. In case you require other languages please contact MAGIC FX.

## ABBREVIATIONS

Abbreviation	Description
SFX	Special effects
5L Fluid Can Bracket	MAGICFX® 5L Fluid Can Bracket

Abbreviations

## REVISION TABLE

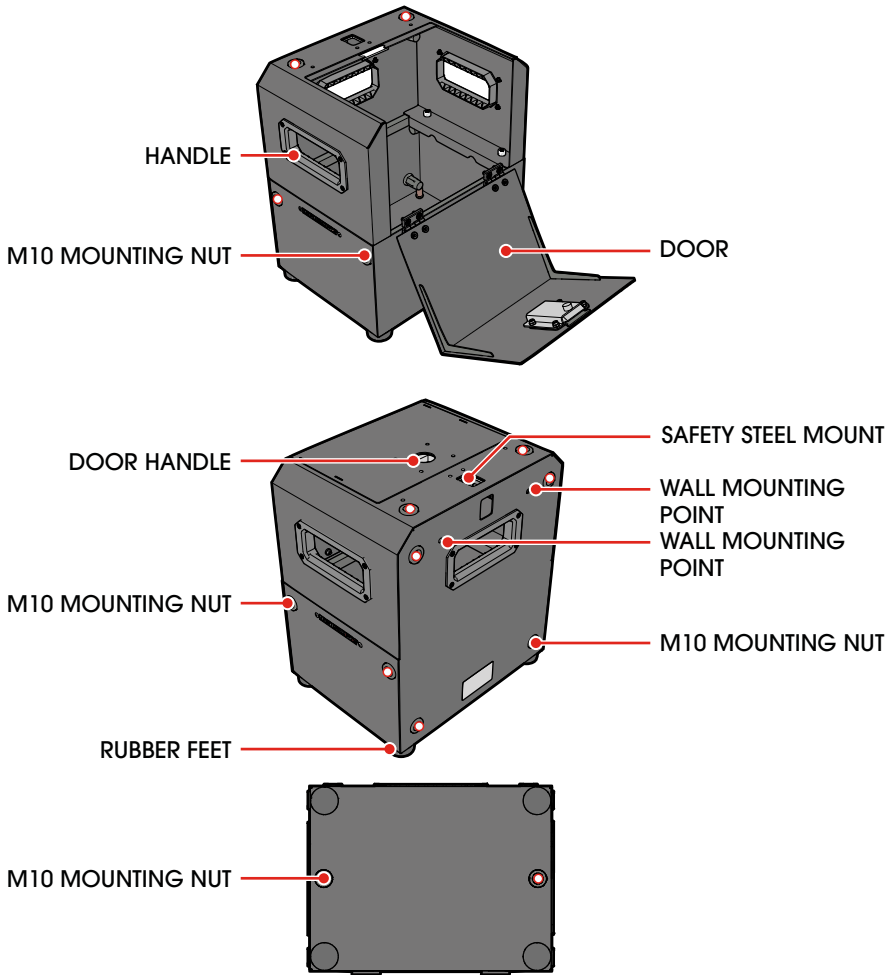
Doc nr	Revision	Date	Description	Author	Approved
PART02526	01-00	25-06-2024	Initial release	RH, MBO	RH
PART02526	01-01	23-09-2024	Updated front page	MBO	RH

# 1. DESCRIPTION

The ECO2JET 5L Fluid Can Bracket is a versatile accessory designed to securely hold fluid cans containing 5 liters of SFX fluid. This bracket is specifically designed to be easily mounted on a truss, providing a stable, accessible and safe storage solution for the fluid containers. With multiple mounting points available, including the top, bottom, rear, and sides, the Fluid Can Bracket offers flexibility for installation to suit your needs.

## 1.1. MAIN PARTS

---



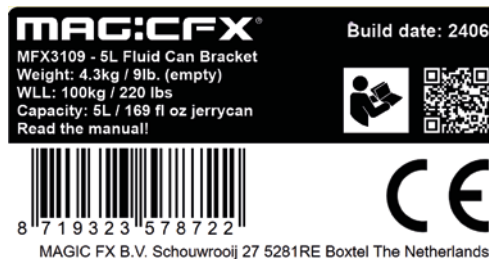
Main parts

## 1.2. TECHNICAL DATA

<b>Product</b>	Product Name	5L Fluid Can Bracket	
	Product Code	MFX3109	
	Product Type	Accessories	
<b>Main Dimensions</b>	Length	209 mm	7.8 in
	Width	265 mm	10.4 in
	Height	314 mm	12.4 in
<b>Weight</b>	Empty Weight	4.3 kg	9.5 lbs
	Full weight	8.4 kg	18.5 lbs
	Packaged Weight	5.4 kg	11.9 lbs
<b>Work Load Limit</b>	WLL	100 kg	220 lbs
<b>Fluid capacity</b>	Fluid capacity	5 L	169 fl oz
<b>Environment</b>	Minimum Temperature	Fluid dependent	
	Maximum Temperature	Fluid dependent	
	Humidity (Relative)	Fluid dependent	

Technical data

## 1.3. PRODUCT IDENTIFICATION



Type plate

## 1.4. COMPATIBLE FLUID CANS

The 5L Fluid Can Bracket is designed to accommodate all types of 5L MFX fluid cans, each specifically formulated for different effects.

When using the 5L Fluid Can Bracket with different types of fluid cans, ensure compatibility with your SFX machine(s) or device(s).

Always follow the manufacturers' instructions and safety guidelines when handling and using effect fluids.

With the 5L Fluid Can Bracket, you have the flexibility to store and access various types of fluid cans, allowing you to unleash your creativity and elevate your productions with stunning visual effects.

## **2. SAFETY**

The 5L Fluid Can Bracket has been designed and constructed in such a manner that it can be used safely. This applies to the use, the circumstances and the regulations as described in this documentation. Reading this documentation and following the instructions are therefore necessary for everyone who is authorised to work with the 5L Fluid Can Bracket.

The 5L Fluid Can Bracket must be used in surroundings that:

- Are free of dust, corrosive gases and high concentrations of organic vapours.
- Are free of chlorine fumes.
- Are not situated in the vicinity of a source of vibration.

### **2.1. INDOOR & OUTDOOR USE**

The 5L Fluid Can Bracket is designed for indoor and outdoor use.


### **2.2. GENERAL SAFETY RULES**

- Only authorised persons may work with the 5L Fluid Can Bracket.
- Do not use the 5L Fluid Can Bracket if alterations have been made other than by or on behalf of MAGIC FX.
- Make sure that children, unauthorised people and animals do not obtain access to the 5L Fluid Can Bracket.
- Ensure the lid of the 5L Fluid Can Bracket is completely closed when the fluid can is placed inside.
- Ensure the 5L Fluid Can Bracket is mounted horizontal.
- Do not remove or bypass any safeguards and safety symbols.
- All required safety devices must be in good condition and function properly.
- Ensure sufficient lighting of the surroundings.
- Keep the workplace clean.

### **2.3. RIGGING**


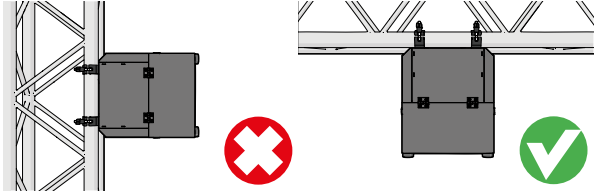







Please follow the European and national guidelines for safe rigging and trussing.

## 2.4. SAFETY SYMBOLS

Symbol	Meaning	Position
	Read the manual carefully before use!	On the product identification

Safety symbols

## 2.5. SAFETY WARNINGS

	Do not mount the ECO2JET to the truss sideways. Only suspend the ECO2JET from the truss.
	
	Using a damaged or an improper installed 5L Fluid Can Bracket can lead to death, serious injury or property damage. Always inspect the 5L Fluid Can Bracket thoroughly before operation.
	Do not use the 5L Fluid Can Bracket if alterations have been made other than by or on behalf of MAGIC FX.
	Missing or obscured safety symbols on the product can lead to death or serious injury. Make sure all safety symbols are correctly in place, see section 2.4.
	When a safety wire is required, use a safety wire with an emergency link that is tightened with a wrench. Handtight is not enough.
	Make sure the structure intended to hold the machine is calculated for the weight. Overhead rigging requires extensive experience in calculating load limits, installation materials, and performing periodic safety inspection. Only qualified personnel is allowed to perform this.
	Only hoist the machine using the safety steel mount. Do not hoist using the handles.
	Always ensure that the 5L Fluid Can Bracket is securely mounted and that the fluid can is properly inserted and connected to prevent any accidents or spills.

---

**⚠ WARNING**

Regularly inspect the 5L Fluid Can Bracket and its components for any signs of wear or damage, and replace as necessary to maintain safe and efficient operation.

---

**⚠ CAUTION**

Installing the 5L Fluid Can Bracket in a motion truss is not recommended.

---

**NOTICE**

The handles are only intended for handling the fluid can bracket.

---

### 3. INSTALLATION AND USE

The 5L Fluid Can Bracket can be positioned on a stage or floor or can be mounted on a truss. Alternatively, the screw holes can be used to secure the 5L Fluid Can Bracket to a wall or beam.

---

**⚠ WARNING**

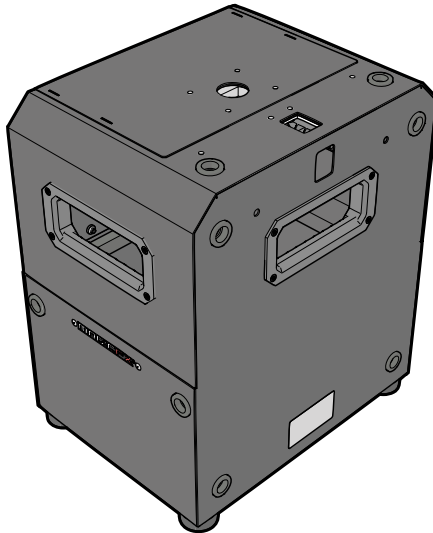
MAGIC FX is not responsible for mounting the 5L Fluid Can Bracket using the screw holes. Always make sure the wall or beam and the screws are calculated for the total weight.

---

#### 3.1. MOUNT ON A STAGE

The 5L Fluid Can Bracket can be placed directly on a stage or floor on its rubber feet.

---



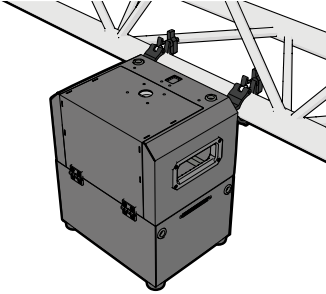
### 3.2. MOUNT ON A TRUSS

The 5L Fluid Can Bracket is equipped with 12 mounting nuts for clamps, meaning there are various mounting configurations possible.

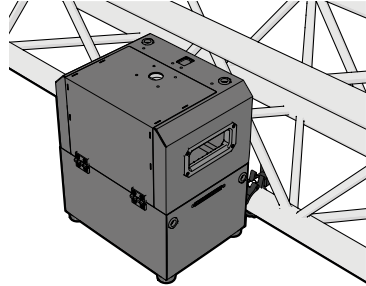
**⚠ WARNING**

Always use two clamps to secure the 5L Fluid Can Bracket to a truss.

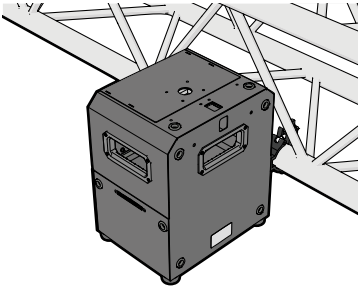
a. On the topside of the rear



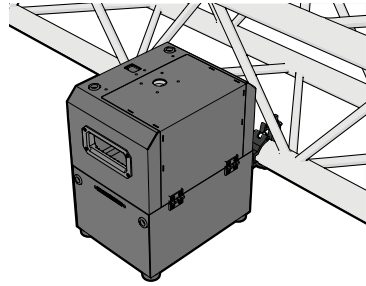
b. On the bottomside of the rear



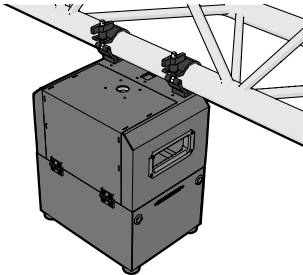
c. On the left side



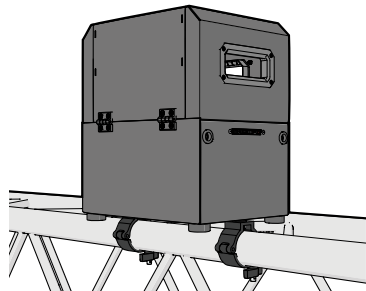
d. On the right side



e. On the top



f. On the bottom

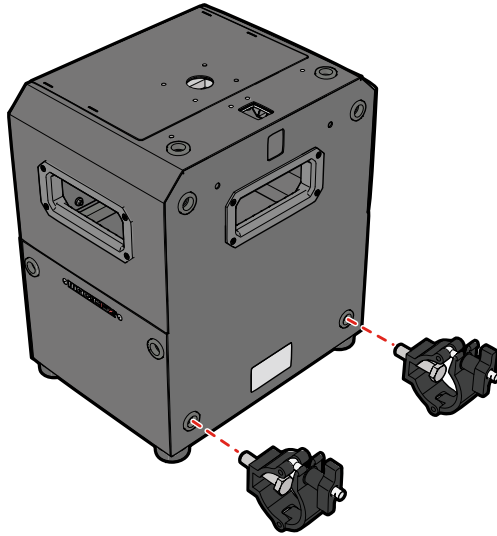


There are two types of clamps suited for use with the 5L Fluid Can Bracket.

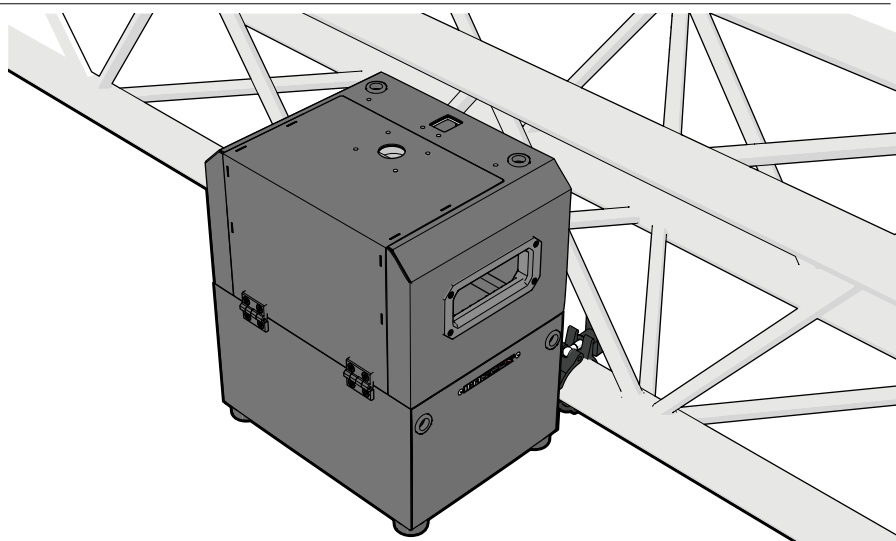
<b>Code</b>	<b>Product</b>
MFX3104	Doughty Quick Trigger Clamp (100 kg) M10
MFX3106	Doughty Half Coupler (100 kg) M10

To mount the 5L Fluid Can Bracket to a truss:

1. Attach clamps to the 5L Fluid Can Bracket by screwing the bolts into the M10 mounting nuts.



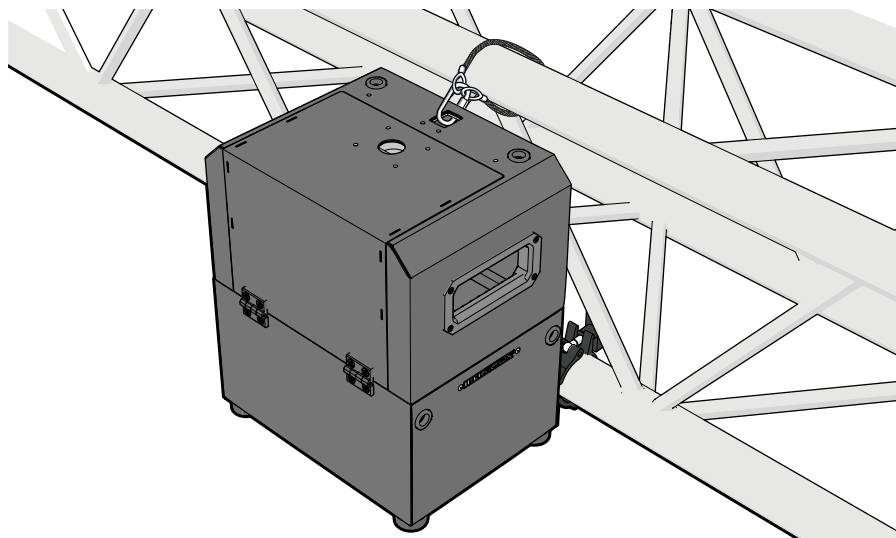
2. Mount the 5L Fluid Can Bracket in a horizontal position onto a horizontal truss. Vertical truss mounting is not permitted.



**⚠ WARNING**

Ensure that the clamps are tightened securely to prevent any movement during use.

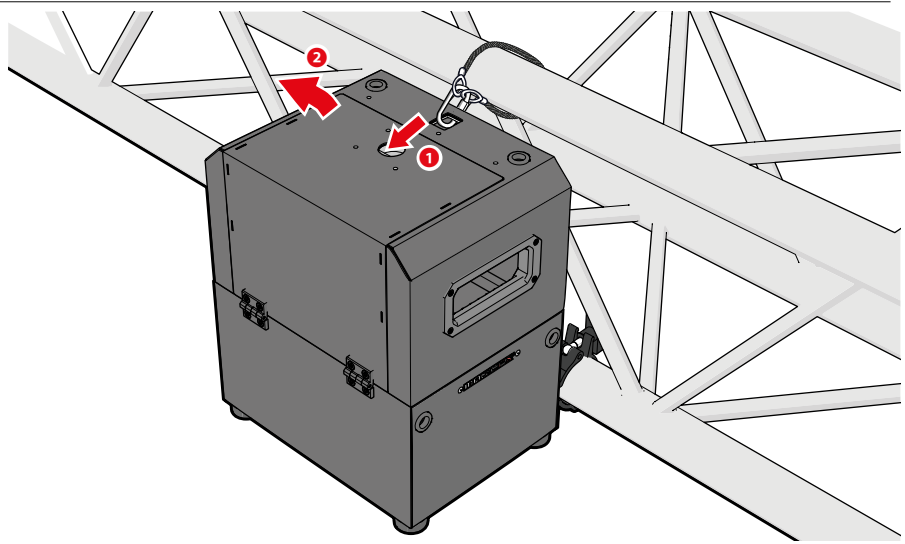
3. Secure the 5L Fluid Can Bracket onto the truss with use of a safety steel on the top of the 5L Fluid Can Bracket. Make sure the safety steel is as short as possible. If needed, wind the steel around the truss to pull it tight. See the safety warnings in chapter 2.5.



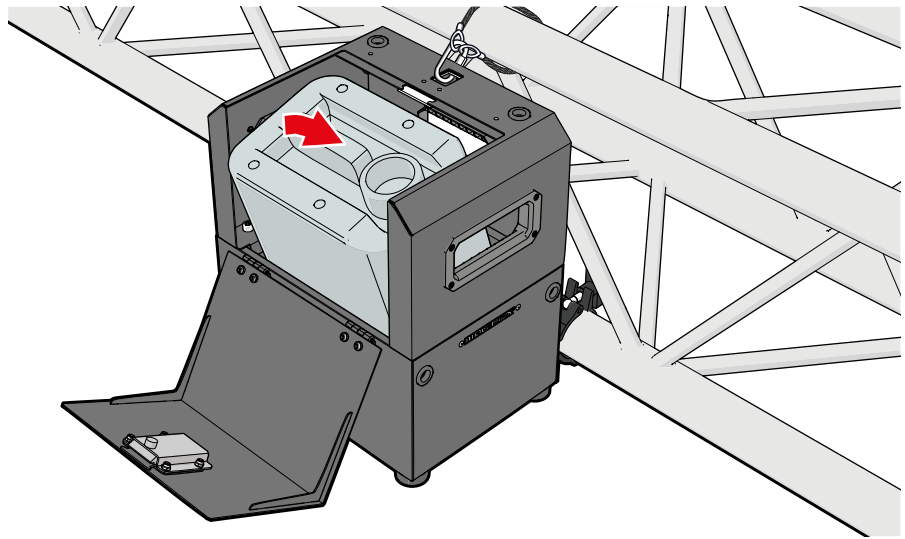
### 3.3. INSERT THE FLUID CAN

Place a fluid can with SFX fluid in the 5L Fluid Can Bracket:

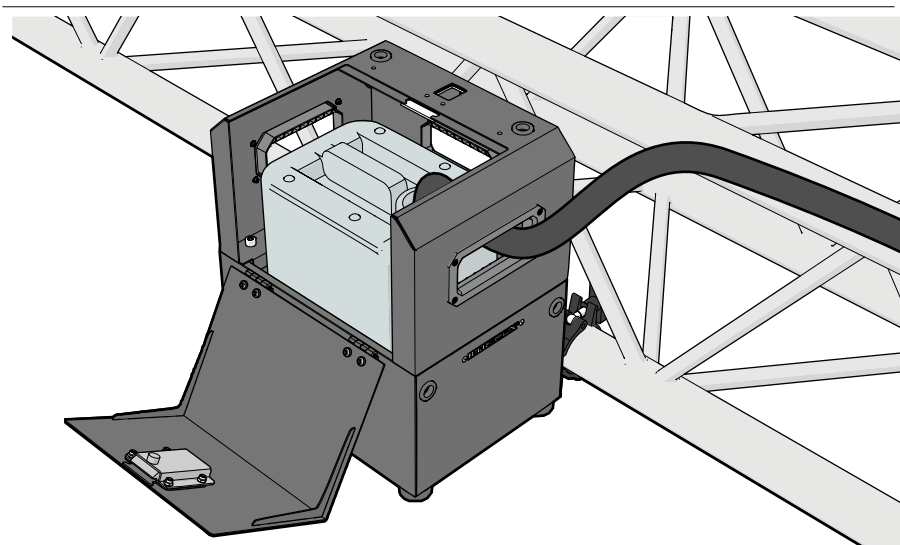
1. Open the door by pressing the one-finger door handle and lifting the door.



2. Insert a fluid can into the 5L Fluid Can Bracket.



3. Route the hose through one of the handles to the SFX machine.



4. Close the door.

## 4. TROUBLESHOOTING

Always contact MAGIC FX if any malfunctions or errors occur that cannot be solved with the instructions as described in this manual.

In this stage, MAGIC FX appreciates it if the occurrence of errors/warnings will be reported as detailed as possible.

## 5. MAINTENANCE

To achieve the maximum service life of the 5L Fluid Can Bracket you must regularly inspect the inside for contamination or spilled fluid. Regularly check for corrosion damage. Clean the 5L Fluid Can Bracket before inserting a new fluid can. Contact MAGIC FX if the 5L Fluid Can Bracket is not functioning correctly.

**⚠ DANGER**

Do not replace parts yourself; always consult MAGIC FX if necessary.

## 6. EC DECLARATION OF CONFORMITY

MAGIC FX B.V. declares as manufacturer and composer of the technical construction file that the product with the following specifications:

Name machine	: 5L Fluid Can Bracket
Type	: MFX3109
Work Load Limit	: 100 kg   220 lbs
Serial number	: N/A
Year of construction	: on product

Is in conformity with the minimal safety regulations as stated in the following directive(s):

- Directive 2006/42/EC Machinery Directive

The following harmonized standards were applied:

- NEN-EN-ISO 12100:2010 Safety of machinery - General principles for design - Risk assessment and risk reduction.

- Original declaration of conformity
- Translation of the original declaration of conformity

Name manufacturer	: MAGIC FX B.V.
Address	: Schouwrooij 27, 5281 RE BOXTEL
Country	: The Netherlands

CEO : B. Veroude

Date : 10-06-2024

Signature



**MAG:CFX<sup>®</sup>**

[WWW.MAGICFX.EU](http://WWW.MAGICFX.EU)

